

2S854

2S854

2S8365

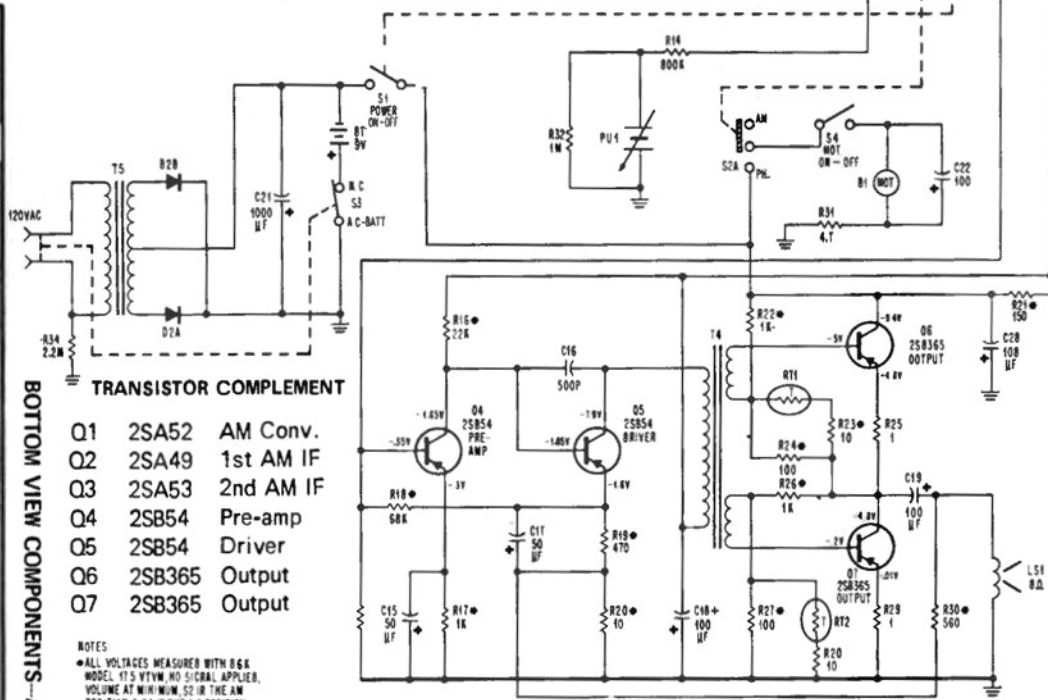
2S8365

NOTE: RESISTORS MARKED WITH AN * ARE PRINTED ON TOP OF THE P.W. PANEL, REPLACE WITH CARBON TYPE.

BOTTOM VIEW COMPONENTS—AUDIO PANEL

- TRANSISTOR COMPLEMENT**
- Q1 2SA52 AM Conv.
 - Q2 2SA49 1st AM IF
 - Q3 2SA53 2nd AM IF
 - Q4 2S854 Pre-amp
 - Q5 2S854 Driver
 - Q6 2S8365 Output
 - Q7 2S8365 Output

- NOTES:**
- ALL VOLTAGES MEASURED WITH 86K MODEL 47.5 VTYW, NO SIGNAL APPLIED, VOLUME AT MINIMUM, S2 IN THE AM POSITION & S4 IN THE A.C. POSITION WITH NO SIGNAL APPLIED.
 - SOURCE VOLTAGE - 8.4V
 - MOTOR VOLTAGE (NO LOAD) - 8.7V
 - CURRENT DRAIN
AM 13 MA
PHONO 50 MA (NO LOAD)
 - ALL RESISTORS MARKED WITH AN * ARE PRINTED ON TOP OF THE AUDIO P.W. PANEL



TURNTABLE SPEED: 33 1/3 rpm - 45 rpm
 POWER OUTPUT: 2 peak music watts
 POWER SUPPLY: 9 VDC with 6 "D" cells or 120 V.A.C. operation with built-in supply.



IF 455 KC